

# GNEExCP7-BG Break Glass Manual Call Point

The **explosion proof GNEExCP7-BG break glass Ex d manual call points feature a robust GRP enclosure with a 316 stainless steel mechanism and IP66/67 rating – manufactured for the harshest of hazardous environments.**

Globally approved to IECEx, ATEX, UL and cUL standard for all Zone 1, 2, 21 & 22 and Class I/II Div 2 installations. Can also be specified for applications requiring compliance to the UL38 standard for Manual Signaling Boxes for Fire Alarm Systems or ULC-S528 Manual Stations For Fire Alarm Systems. Available with DIN rail terminals or the innovative E2S termination board with dedicated connections for field installed EOL and/or series devices. SIL 2 compliant to IEC 61508 (2010).

## Features

- Corrosion proof GRP enclosure, anti-static & UV stable
- Ingress protection IP66/67/68, 4/4X/3R/13
- Single or double switch (SPCO/DPCO)
- 316 (A4) stainless steel mechanism
- Optional stainless steel lift flap
- 3 x cable entries, 2 x stopping plugs included
- Available with addressable modules
- Optional LED indicator

## Approvals

- UL/cUL certificate: 20190604-E482536, 20200224-E513632
- IECEx certificate: IECEx ULD 19.0007X
- ATEX certificate: DEMKO 19 ATEX 2101X
- UKCA certificate: UL21UKEX2134X
- INMETRO certificate IEx 23.0091X
- DNV certificate TAA000034V
- SIL 2 compliant to IEC 61508 (2010)

## Coding

- NEC / CEC:
    - Class I Div 2 Group ABCD T5 Ta -55°C to +70°C
    - Class I Div 2 Group ABCD T6 Ta -55°C to +60°C
    - Class II Div 2 Group FG T4 Ta -55°C to +60°C
    - Class III Div 1 & 2 Ta -55°C to +60°C
  - NEC:
    - Class I Zone 1 AEx db IIC T5 Gb (Ta -55°C to +70°C)
    - Class I Zone 1 AEx db IIC T6 Gb (Ta -55°C to +60°C)
    - Zone 21 AEx tb IIIC T135°C Db (Ta -55°C to +70°C)
    - Zone 21 AEx tb IIIC T125°C Db (Ta -55°C to +60°C)
  - CEC:
    - Class I Zone 1 Ex db IIC T5 Gb X (Ta -55°C to +70°C)
    - Class I Zone 1 Ex db IIC T6 Gb X (Ta -55°C to +60°C)
    - Zone 21 Ex tb IIIC T135°C Db (Ta -55°C to +70°C)
  - IECEx & ATEX:
    - II 2G Ex db IIC T5 Gb Ta. -55 to +70°C
    - II 2G Ex db IIC T6 Gb Ta. -55 to +65°C
    - II 2D Ex tb IIIC T90°C Db Ta. -55° to +70°C
- See product manual for full product specific coding.

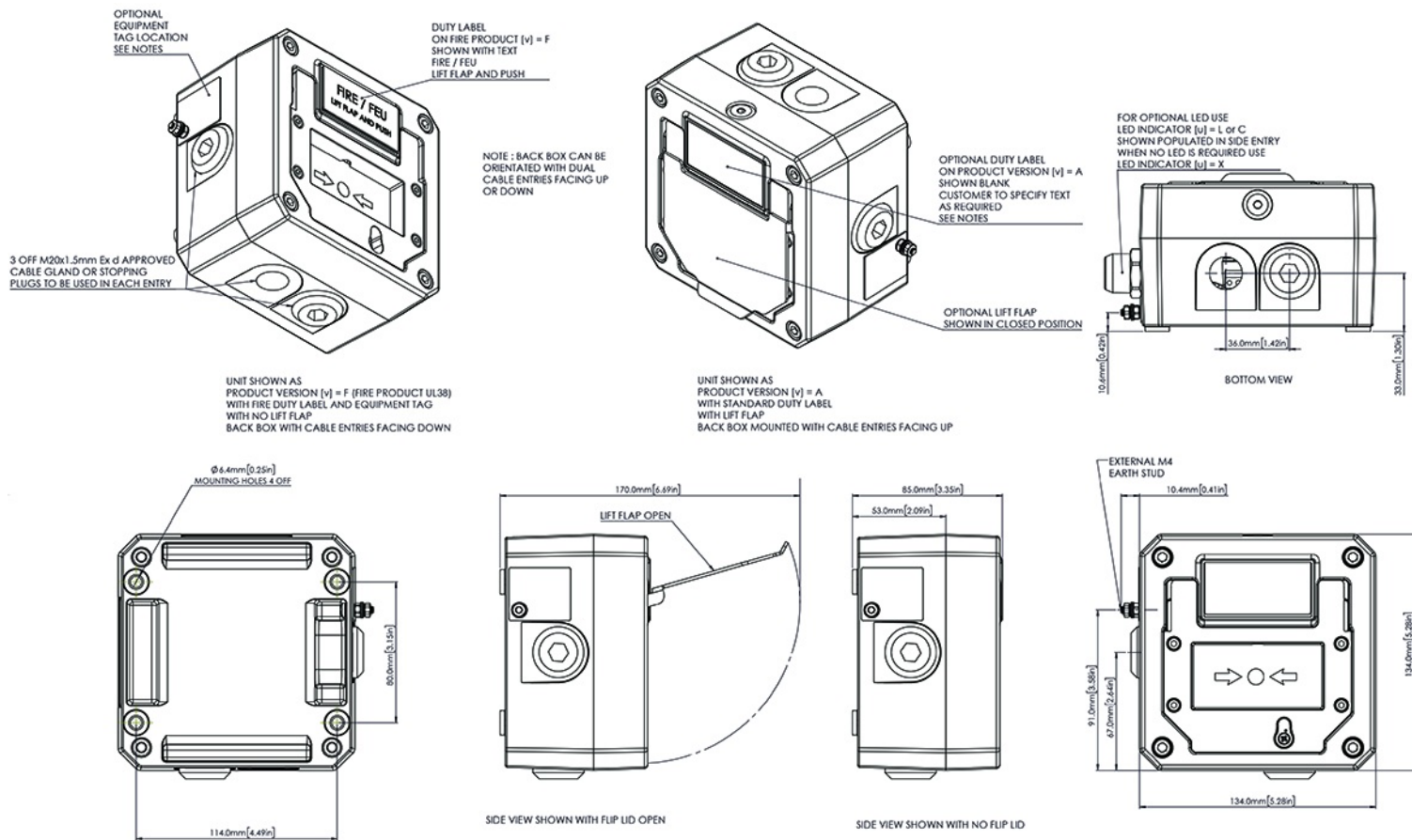


## Specification

|                              |   |                               |
|------------------------------|---|-------------------------------|
| <b>GNExCP7-BG:</b>           | Break Glass Manual Call Point   |                               |
| Temp. Range:                 | -55°C to +60°C/+70°C  |                               |
| Switch:                      | Sealed – IP67   |                               |
| Ingress protection:          | IP66/67/68 to EN/IEC 60529<br>4/4X/3R/13 to UL50E/NEMA250   |                               |
| Enclosure matl:              | GRP Glass Reinforced Polyester, anti-static & UV stable   |                               |
| Colour:                      | Red<br>Other solid and striped colours available  |                               |
| Lift flap:                   | Optional 316 stainless steel lift flap  |                               |
| Cable entries:               | 2 x M20x1.5 down facing and 1 x M20x1.5 side<br>Back box can be rotated to provide 2 x top facing and 1 x side entries<br>Cable entries adaptable to 1/2"NPT, 3/4"NPT & M25 |                               |
| Stopping plugs:              | 2 x Stopping plugs as standard<br>Brass, Nickel plated or Stainless Steel   |                               |
| Terminals:                   | DIN rail 8 x 2.5mm <sup>2</sup> SAK2.5 or<br>Termination board featuring 6 x 2.5mm <sup>2</sup> terminals plus 4 x dedicated EOL & Series terminals                         |                               |
| Earth:                       | External M5 earth connection  |                               |
| Relative Humidity:           | R.H. 95% @ 20°C   |                               |
| MTBF:                        | 479.6 years / 4,201,680 hours I- MIL 217  |                               |
| Weight:                      | 2.1Kg/4.63lbs   |                               |
| Voltage Range:               | Max input Current: Limitations for EOL / Series Resistors:  |                               |
| 250Vac Max                   | 3.33A max   | not permitted                 |
| 48Vdc Max                    | 1.0A max  | min. 2.2kOhm                  |
| 24Vdc Max                    | 3.0A max  | min. 470 Ohm                  |
| EOL and Series Diode Values: |   |                               |
| xxx:                         | Zener Value   | Max. current supply permitted |
| 3V3                          | 3.3V Diode  | 230mA                         |
| 4V7                          | 4.7V Diode  | 162mA                         |
| 5V1                          | 5.1V Diode  | 149mA                         |
| 5V6                          | 5.6V Diode  | 136mA                         |
| 6V2                          | 6.2V Diode  | 122mA                         |
| 6V8                          | 6.8V Diode  | 112mA                         |
| 10V                          | 10V Diode   | 76mA                          |
| 12V                          | 12V Diode   | 63mA                          |
| Spares:                      |   |                               |
| SP70-0001                    | Spare Break Glass – Box of 50   |                               |
| SP70-0040                    | Spare GNExCP7-BG Test Key   |                               |
| Accessories:                 |   |                               |
| SP65-0001-A4                 | Pole Mount Bracket Kit St/St A4 (316)   |                               |
| SP65-0002-A4                 | Sunshade – St/St A4 (316)   |                               |

## Part Codes

| Version:                            | Part reference:  | Description:  |
|-------------------------------------|--|---|
| Product type:                       | GNExCP7BG  | Break Glass Manual Call Point   |
| Switch type: [s]                    | S<br>D   | SPCO/SPDT<br>DPCO/DPDT  |
| Terminals: [t]                      | D<br>X<br>P  | DIN Rail 8 x SAK2.5<br>Addressable module – select below<br>Termination board: 6 x 2.5mm <sup>2</sup> terminals plus 4 x EOL & Series terminals   |
| Lift flap: [l]                      | N<br>L   | No lift flap<br>Stainless steel lift flap   |
| Cable entries: [e]                  | A<br>B<br>C<br>D<br>E<br>F<br>G                              | 3 x M20x1.5mm<br>2 x 1/2" NPT – adaptors<br>2 x 3/4" NPT – adaptors<br>2 x M25x1.5mm – adaptors<br>1 x 1/2" NPT – adaptor<br>1 x 3/4" NPT – adaptor<br>1 x M25x1.5mm – adaptor  |
| Stopping plug/adaptor material: [m] | B<br>P<br>S  | Brass<br>Nickel Plated Brass<br>Stainless Steel   |
| Duty label/Equipment tag: [d]       | 1<br>2<br>3<br>4<br>5<br>6<br>7                              | No Duty label, no Equip. tag<br>Duty label Stainless Steel<br>Duty label St/St + Equip. tag<br>Duty label Metalised Polyester<br>Duty label M. Poly. + Equip. tag<br>Equip. tag only<br>Special label requirement   |
| Product version: [v]                | A<br>F<br>H<br>Z<br>M<br>C<br>P<br>E<br>S<br>D<br>L<br>NOTE: | UL, cUL, IECEX, ATEX, INMETRO & PESO<br>UL38 & ULC-S528 Fire<br>UL, cUL, ULC, IECEX, ATEX, INMETRO & PESO<br>Honeywell TC809B1008 module*<br>Ziton A45E-2 module*<br>Johnson Controls MIM800 module*<br>Hochiki CHQCP2 monito*<br>Apollo XP95 mini module*<br>Consilium IC10 module*<br>Siemens XTRI-M module*<br>Securiton SDI 82X-I module*<br>Simplex 40909051 Supervised IAM*<br>* Versions with addressable modules do not include UL/cUL/ULC approval |
| Product option: [o]                 | 1<br>W<br>2<br>Y<br>P<br>V<br>Note:                          | Standard product<br>Alternate EOL & series wiring<br>Duplicated EOL and/or series devices<br>Duplicated EOL and series – alternate wiring<br>Parallel wiring with or without EOL/series<br>Parallel with EOL and series alternate wiring<br>Duplicated EOL/series and Parallel wiring only available with switch type 'D'   |
| Enclosure colour: [x]               | R<br>B<br>N<br>Y<br>V<br>S<br>K<br>M<br>Z                    | Red (F version mandatory)<br>Blue<br>Green<br>Yellow<br>Red/White<br>Yellow/Black<br>Black<br>Magenta<br>Red/Black  |
| LED indicator: [u]                  | N<br>L<br>C  | No LED required (F version mandatory)<br>LED with 1.5K ballast resistor<br>LED without ballast resistor   |
| E.O.L.Module: optional [e]          | ExxxR<br>ED1<br>ExxxZ  | Resistor value in Ohms e.g. E470R = 470 Ohm<br>Diode IN4007 = ED1<br>Zener diode e.g. E5V1Z = 5.1V  |



**Note**

F version only available with Duty label option 2 or 3. Mandatory duty label: "FIRE/FEU"

F version only available with Red enclosure

F version not available with LED indicator

All trademarks are the property of their respective owners